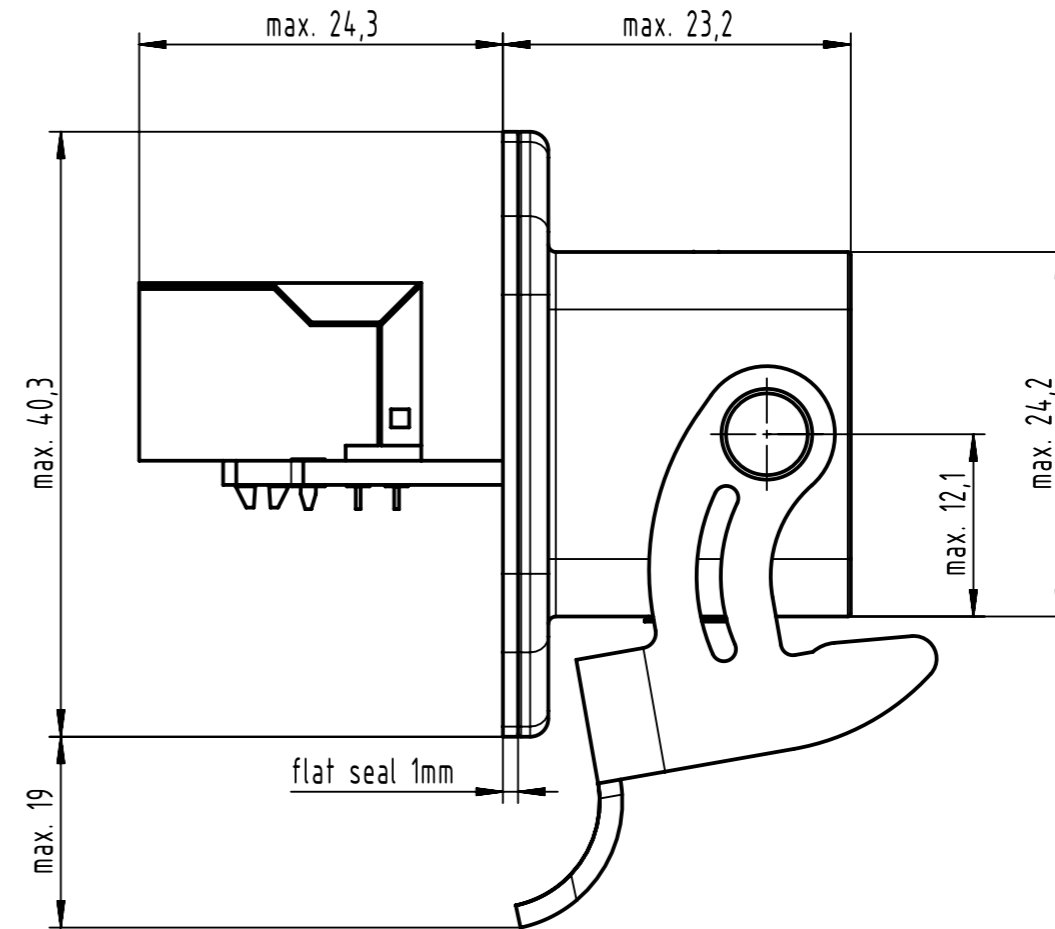
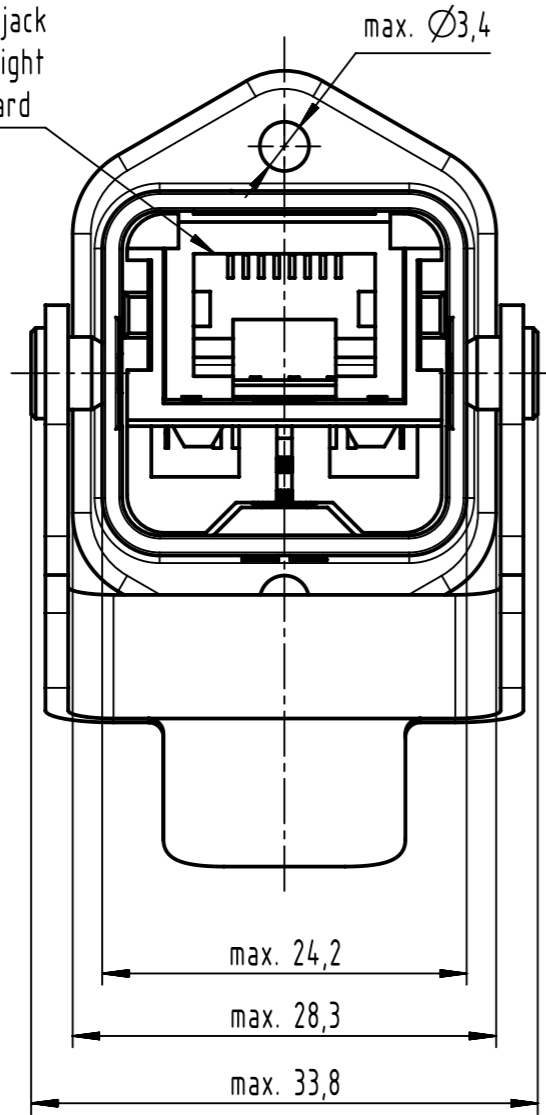
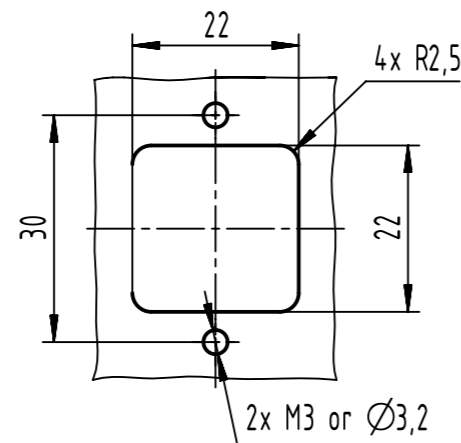


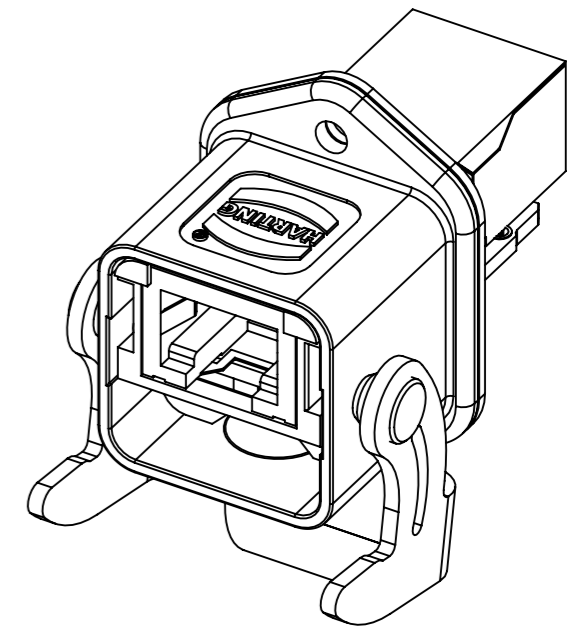
IEC 60603-7  
SMC modular jack  
12mm max. height  
above PC-Board



Panel cut out  
(1:1)



compatible with IEC 60076-3-106 variant 5  
connector pitches on panel  
X axis = 36mm  
Y axis = 55mm



	All rights reserved Department EL PD	All Dimensions in mm Original Size DIN A3			Scale 2:1	Free size tol.	Ref. Sub.
		Created by BALSAN	Inspected by PRIESTER	Standardisation 302077	Date 2021-04-23	State Final Release	
HARTING D-32339 Espelkamp		Title Han3A RJ45 Cat5 PFT 8p				Doc-Key / ECM-Nr. 100154344/UGD/003/B 500000193227	
		Type TB	Number 09452151100			Rev. B	Page 1/1